

# Sketch

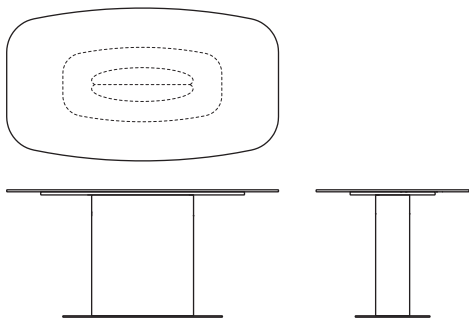


180: sintered stone - light oak - brass

## TILBA TABLE

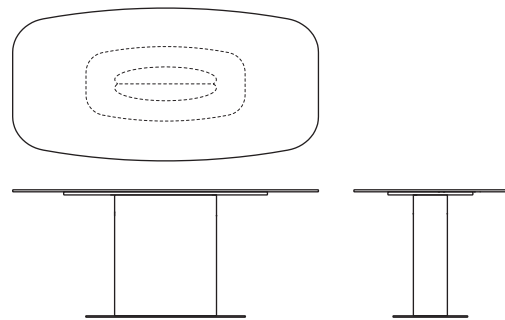
### 083-1101 : Tilba 160 table

W1600 D900 H750



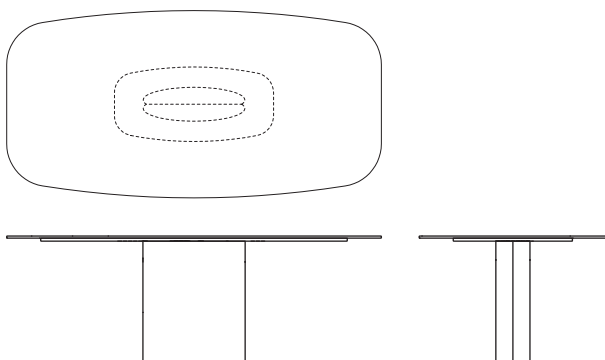
### 083-1102 : Tilba 180 table

W1800 D900 H750



### 083-1103 : Tilba 220 table

W2200 D1100 H750



# TILBA TABLE

Tilba is a sleek and practical pedestal table with a curved top and a split wooden leg design. Offering flexibility in smaller spaces, the blade like pedestal allows a variety of unimpeded seating configurations. The stone or ceramic top is reflected in the steel base finished in a complementing premium powder coat, offering continuity of the design language.

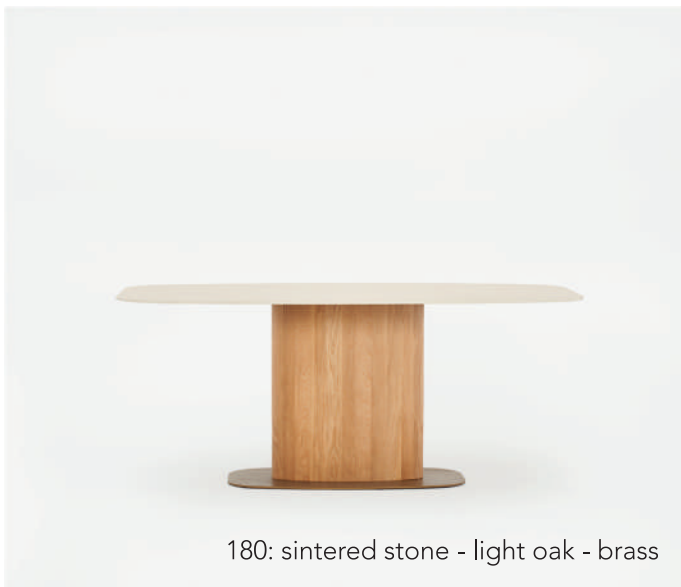
## MATERIAL

Top : marble or sintered stone

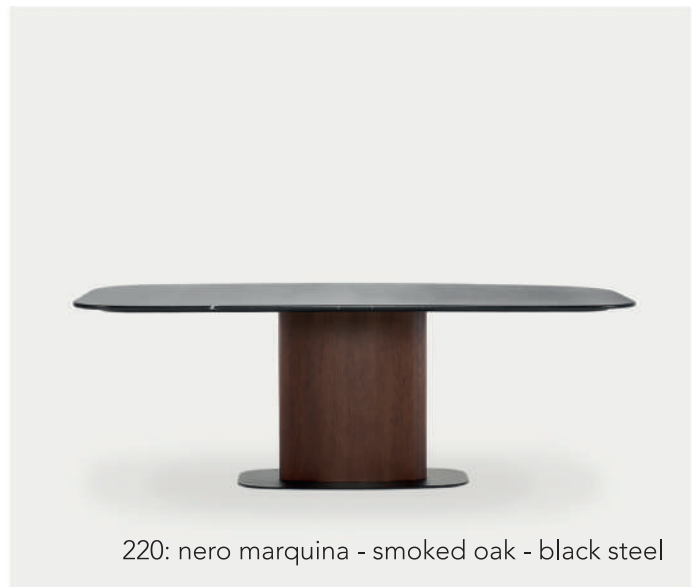
Pedestal : solid american oak or solid american walnut

Base plate : steel

DESIGN : Patryk Koca



180: sintered stone - light oak - brass



220: nero marquina - smoked oak - black steel



220: nero marquina - smoked oak - black steel